

GMX101 Compact Weather Station

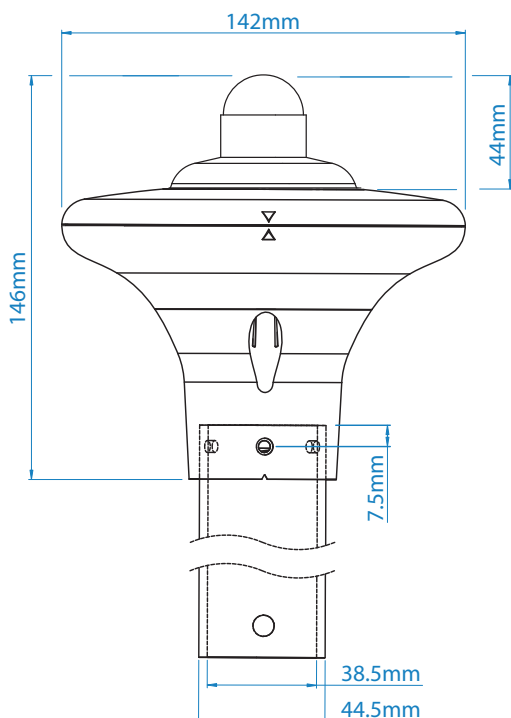
The MaxiMet range of compact weather stations is designed and manufactured by Gill Instruments. MaxiMet products use reliable, high quality instruments to provide accurate meteorological information in a wide variety of applications.

GMX101 Features

Solar radiation. An integrated solar radiation sensor/pyranometer. This highly accurate instrument uses a thermal sensor mounted at its base and protected by a single glass dome to record the amount of light in watts per metre². It is widely used in agro-meteorological applications and for monitoring the performance of solar panels. An inclinometer is fitted to provide the angle of tilt to aid correct vertical and angled mounting.



SOLAR RADIATION	PARAMETERS
<ul style="list-style-type: none"> Complies with ISO 9060 and WMO Guidelines Output in watts per metre² 180° hemispherical field of view Records sunshine hours Integrated Hukseflux LP02 pyranometer Glass dome 	<ul style="list-style-type: none"> Solar radiation W/m^2 Sunshine hours <i>hrs</i> Twilight Sunrise Sunset Position of the sun Solar Noon Angle of Tilt Outputs <i>RS232, 422, 485 (ASCII), SDI-12, NMEA, MODBUS, Analogue (option)</i>



All MaxiMet Models Feature

- Quality Measurements
- Lightweight and Robust
- Free of Charge Software
- Gill Proven Reliability
- Compact Integrated Design
- Real Time Output
- Easy Installation
- Gill Customer Support
- 2 Year Warranty

Applications

- Building and Industrial Controls
- Authorities
- Transport
- Coastal
- Agricultural
- Safety
- Educational
- Commercial
- Energy

GLOBAL SOLAR RADIATION	
Wavelength Sensitivity	300 to 3000 nm
Output Range	0 to 1600 W/m ²
Resolution	1 W/m ²
DIN Standard	ISO 9060 Second Class
Sampling Rate	1 Hz
Units	W/m ²

INCLINOMETER	
Range	± 90°
Accuracy	± 3°
Resolution	1°

OUTPUTS	
Output rate	1/s, 1/min, 1/hr
Digital Comms Modes	Serial RS232, RS422, RS485, SDI-12, NMEA, MODBUS, ASCII
Analogue Outputs	Available via separate optional device

POWER	
Power Supply	5 to 30 Vdc
Power (Nominal) 12 Vdc	28 mA continuous high mode.

ENVIRONMENTAL CONDITIONS	
IP Rating	66
Operational Temperature Range:	-40°C to +70°C
EMC Standard:	BS EN 61326-2-1:2013 FCC, CFR Title 47, Part 15, Subpart B, Class A digital device
CE Marking	YES
RoHS compliant	YES
Weight	0.4 Kg
Origin	UK

Specifications may be subject to change without prior notice

GILL

Gill Instruments Limited

Saltmarsh Park, 67 Gosport Street
Lymington, Hampshire SO41 9EG
United Kingdom

Tel: +44 (0) 1590 613 500
Fax: +44 (0) 1590 613 501
contact@gillinstruments.com



gillinstruments.com

1957-015 Iss 4

Copyright © Gill Instruments 2019